

**STRAIGHT JACK RECEPTACLE FOR PCB**

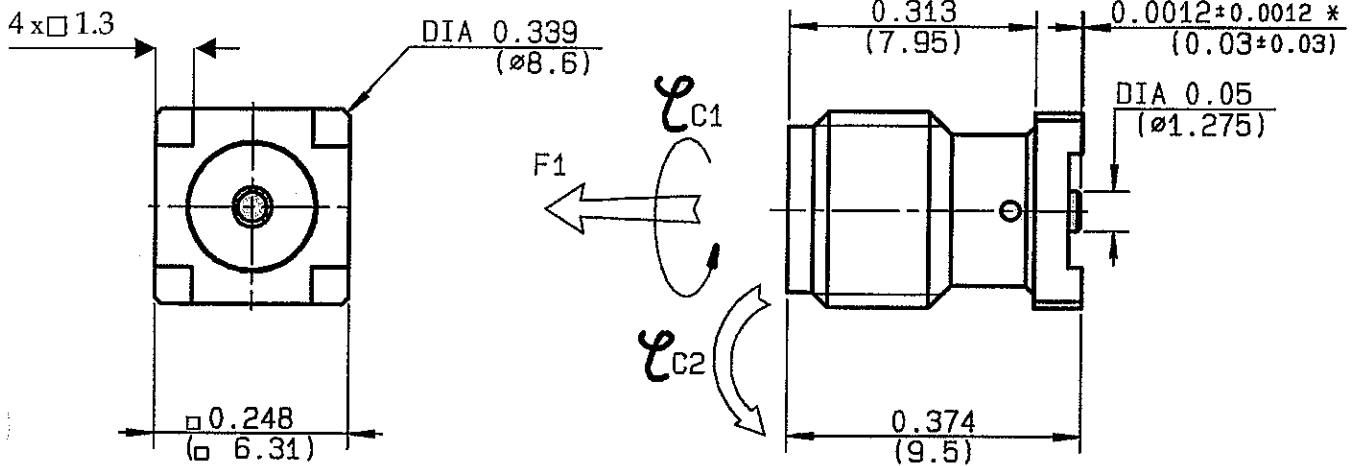
**R124.427.000**

**SMT TYPE**

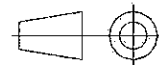
Series : SMA-COM

4 indents captivation c. contact  
(Tenue c. central par 4 creves)

\*set back of c. contact from body  
(Retrait du c. central/ au corps)



All dimensions are in mm.



| COMPONENTS     | MATERIALS        | PLATINGS (μm)          |
|----------------|------------------|------------------------|
| BODY           | BRASS            | GOLD 0.2 OVER NICKEL 2 |
| CENTER CONTACT | BERYLLIUM COPPER | GOLD 0.5 OVER NICKEL 2 |
| OUTER CONTACT  | -                | -                      |
| INSULATOR      | PTFE             | -                      |
| GASKET         | -                | -                      |
| OTHERS PARTS   | -                | -                      |
| -              | -                | -                      |
| -              | -                | -                      |

Issue : 0547 B

In the effort to improve our products, we reserve the right to make changes judged to be necessary.



**STRAIGHT JACK RECEPTACLE FOR PCB**

**R124.427.000**

**SMT TYPE**

Series : SMA-COM

**PACKAGING**

| Standard | Unit       | Other      |
|----------|------------|------------|
| 100      | 'W' option | Contact us |

**SPECIFICATION**

**ELECTRICAL CHARACTERISTICS**

|                                 |               |                              |
|---------------------------------|---------------|------------------------------|
| Impedance                       |               | <b>50</b> Ω                  |
| Frequency                       |               | <b>0-18</b> GHz              |
| VSWR                            | <b>1.04</b> + | <b>0.045</b> x F(GHz) Maxi   |
| Insertion loss                  |               | <b>0.05</b> √F(GHz) dB Maxi  |
| RF leakage                      | - (           | <b>100</b> - F(GHz)) dB Maxi |
| Voltage rating                  |               | <b>500</b> Veff Maxi         |
| Dielectric withstanding voltage |               | <b>1000</b> Veff mini        |
| Insulation resistance           |               | <b>5000</b> MΩ mini          |

**ENVIRONMENTAL**

|                       |                     |
|-----------------------|---------------------|
| Operating temperature | <b>-65/+165</b> ° C |
| Hermetic seal         | <b>NA</b> Atm.cm3/s |
| Panel leakage         | <b>NA</b>           |

**OTHERS CHARACTERISTICS**

Assembly instruction

Others :

FORCE F1:100N-TORQUES C1:70Ncm-C2:90Ncm

**MECHANICAL CHARACTERISTICS**

|                            |              |             |
|----------------------------|--------------|-------------|
| Center contact retention   |              |             |
| Axial force – Mating end   | <b>15</b>    | N mini      |
| Axial force – Opposite end | <b>15</b>    | N mini      |
| Torque                     | <b>1</b>     | N.cm mini   |
| Recommended torque         |              |             |
| Mating                     | -            | N.cm        |
| Panel nut                  | <b>NA</b>    | N.cm        |
| Mating life                | <b>100</b>   | Cycles mini |
| Weight                     | <b>1.100</b> | g           |

Issue : 0547 B

In the effort to improve our products, we reserve the right to make changes judged to be necessary.



**RADIALL**®

**STRAIGHT JACK RECEPTACLE FOR PCB**

**R124.427.000**

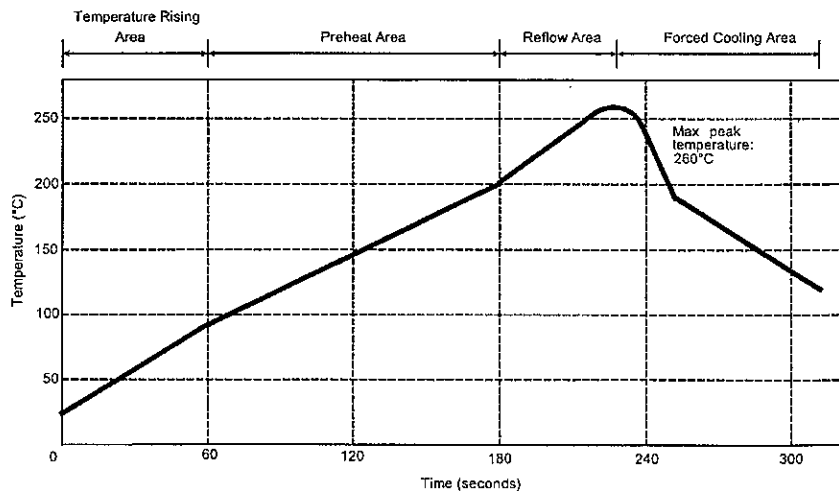
**SMT TYPE**

Series : SMA-COM

**SOLDER PROCEDURE**

1. Deposition of solder paste 'Sn Ag4 Cu0.5' on mounting zone by screen printing application.  
We recommend a low residue flux.  
We advise a thickness of 150 microns mini ( 0.005inch ).  
Verify that the edges of the zone are clean.
2. Placement of the receptacle on the mounting zone with an automatic machine of 'pick and place' type.  
Aspiration port centered into body and push against it.  
Video camera is recommended for the positioning of the component.  
Adhesive agents must not be used on the receptacle.
3. Soldering by infra-red reflow.  
Below, please find the typical profile to use.
4. Cleaning of printed circuit boards.
5. Checking of solder joints and position of the component by visual inspection.

**TEMPERATURE PROFILE**



| Parameter                        | Value    | Unit   |
|----------------------------------|----------|--------|
| Temperature rising Area          | 1 - 4    | °C/sec |
| Max Peak Temperature             | 260      | °C     |
| Max dwell time @260°C            | 10       | sec    |
| Min dwell time @235°C            | 20       | sec    |
| Max dwell time @235°C            | 60       | sec    |
| Temperature drop in cooling Area | -1 to -4 | °C/sec |
| Max dwell time above 100°C       | 420      | sec    |

Issue : 0547 B

In the effort to improve our products, we reserve the right to make changes judged to be necessary.



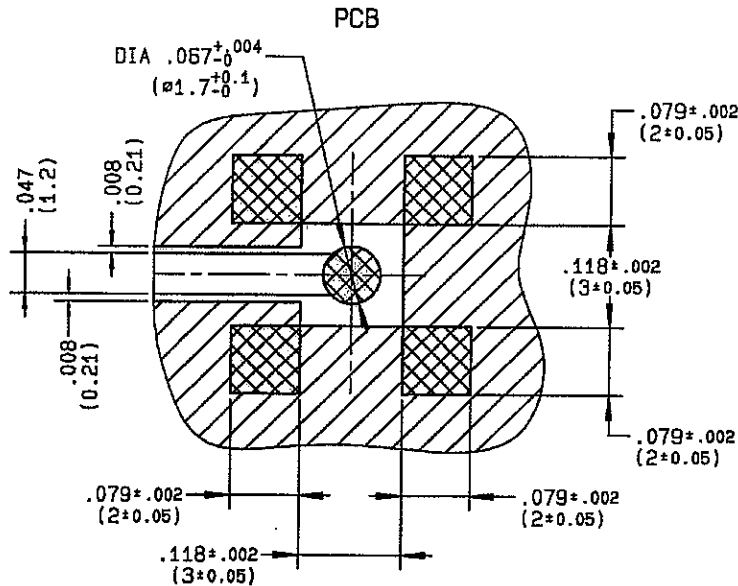
STRAIGHT JACK RECEPTACLE FOR PCB

**R124.427.000**

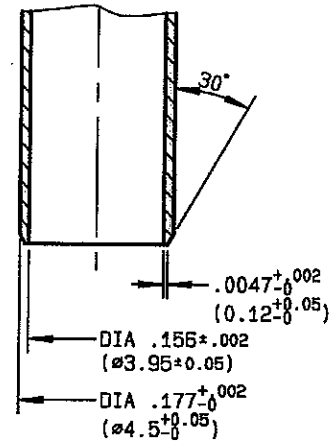
SMT TYPE

Series : SMA-COM

SMA B SERIES - INFORMATIONS

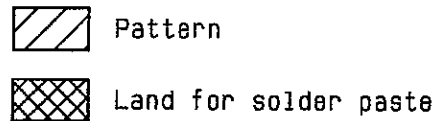


ASPIRATION PORT

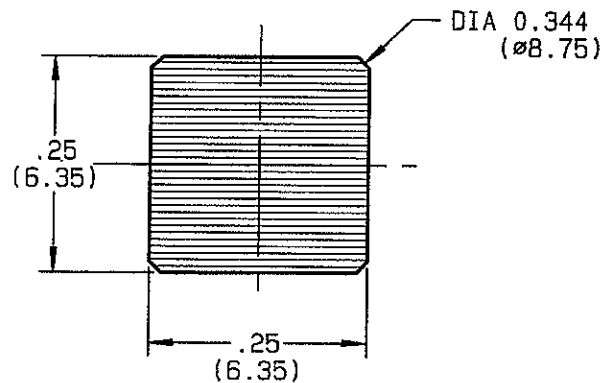


COPLANAR LINE

Pattern and signal are on the same side  
 Thickness of PCB : .063 (1.6 mm)  
 The material of PCB is the epoxy resin  
 of glass fabrics baacs. (Er = 4.8)  
 The solder resist should be printed  
 expt for the land pattern on the PCB.



SHADOW OF "SMA B" RECEPTACLE  
 FOR VIDEO CAMERA



Issue : 0547 B

In the effort to improve our products, we reserve the right to make changes judged to be necessary.

